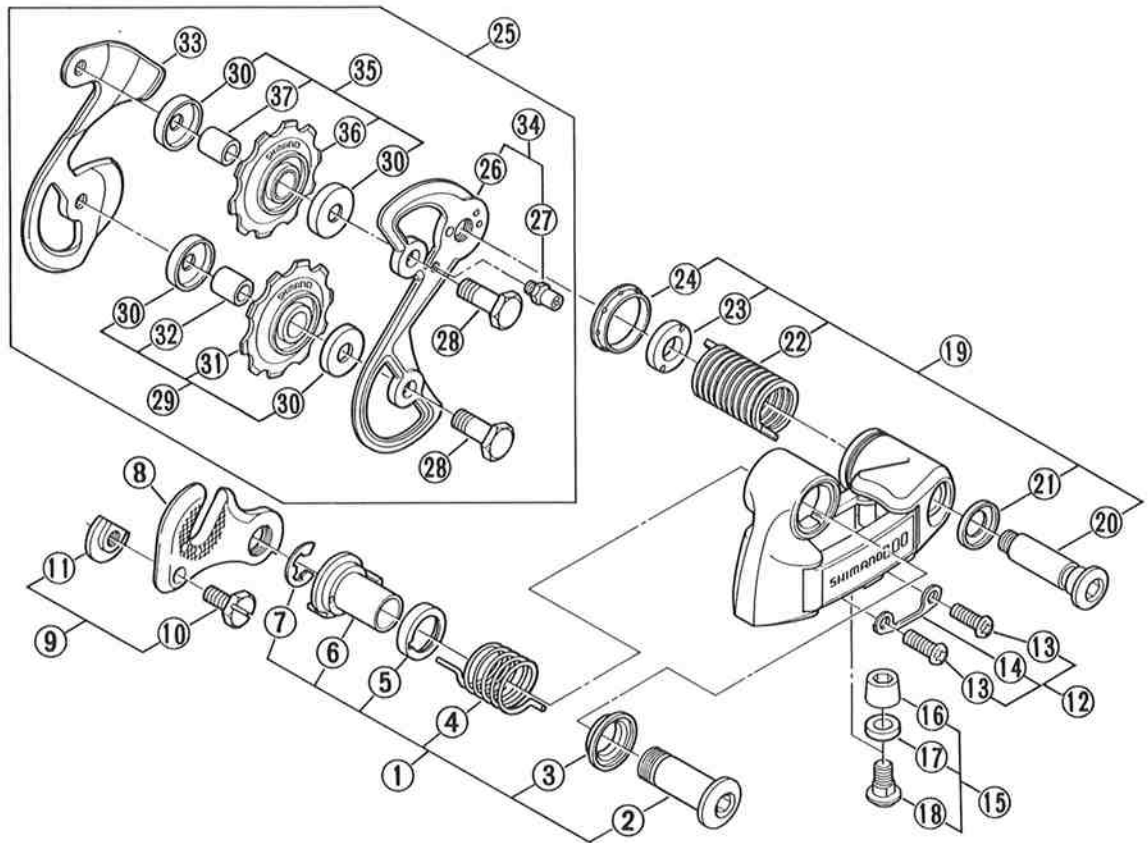


- You may photocopy this sheet and use it as an order form.
- Sie können dieses Blatt kopieren und als Bestellformular verwenden.
- Vous pouvez photocopier cette feuille et l'utiliser comme bon de commande.
- Dit blad kan gecopieerd en als bestelformulier gebruikt worden.
- Potete fotocopiare questo foglio e usarlo come modulo di commissione.

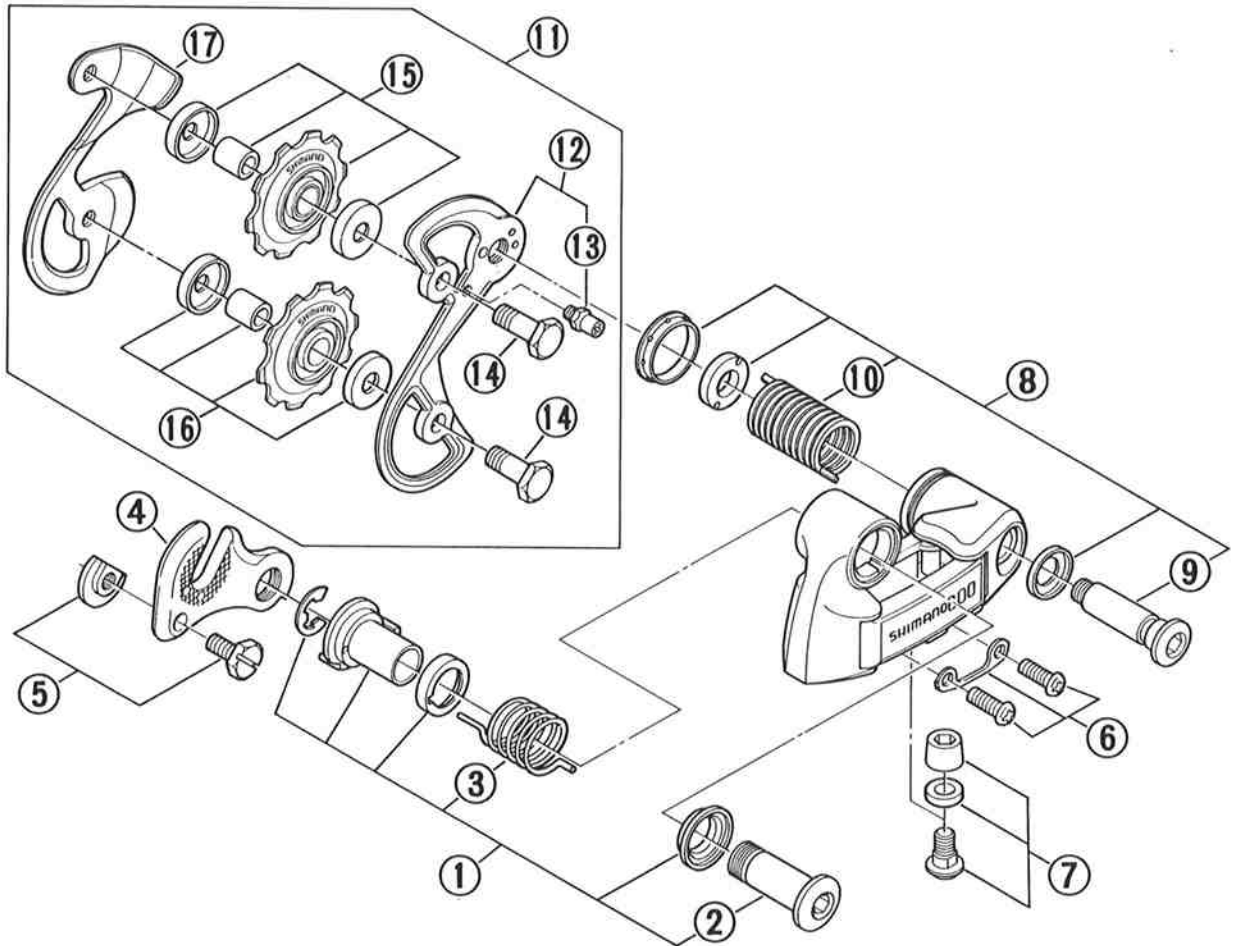
RD-6207

Rear Derailleur
SHIMANO 600EX



ITEM NO.	PART NO.	DESCRIPTION	Q'TY
1	3-546 9809	Bracket Axle Assembly	
2	546 1600	Bracket Axle	
3	568 0500	Bracket Axle Collar	
4	544 0500	B-Tension Spring	
5	541 3500	Bracket Axle Sleeve	
6	3-546 9810	Bracket Axle Bushing	
7	528 1200	Stop Ring (φ7)	
8	541 2705	Adapter	
9	3-525 9069	Adapter Screw & Nut	
10	000 1104-1	Adapter Screw	
11	511 3500-1	Adapter Nut	
12	3-546 9802	Stroke Adjusting Screw & Plate	
13	542 0500	Stroke Adjusting Screw	
14	546 2000	Stroke Adjusting Plate	
15	3-546 9803	Cable Fixing Bolt Unit	
16	546 2200	Cable Fixing Nut	
17	567 0700	Cable Fixing Plate	
18	546 2100	Cable Fixing Bolt	
19	3-546 9804-2	Plate Axle Assembly	
20	569 2500	Plate Mounting Bolt	
21	569 2600	Plate Mounting Collar A	
22	554 5600	P-Tension Spring	
23	569 8300	Plate Mounting Bush	
24	569 8200	Plate Mounting Sleeve	
25	3-546 9805-3	Pulley Plate Assembly	
26	546 7400-1	Outer Plate	
27	546 2900	Plate Stopper Screw	
28	569 0800	Pulley Bolt	
29	3-546 9806	Tension Pulley Unit	
30	511 2701	Pulley Cap	
31	521 3100	Tension Pulley	
32	511 2900	Pulley Bushing	
33	559 2010	Inner Plate	
34	3-546 9807-1	Outer Plate & Plate Stopper Screw	
35	3-546 9812	Guide Pulley Unit	
36	3-546 9811	Guide Pulley	
37	511 2901	Pulley Bushing B	

RD-6207 Rear Derailleur
 SHIMANO 600EX



ITEM NO.	PART NO.	DESCRIPTION	Q'TY
1	546 9809	Bracket Axle Assembly	
2	546 1600	Bracket Axle	
* 3	544 0500	B-Tension Spring	
4	541 2705	Adapter	
5	525 9069	Adapter Screw & Nut	
6	546 9802	Stroke Adjusting Screw & Plate	
7	546 9803	Cable Fixing Bolt Unit	
8	546 9804-2	Plate Axle Assembly	
9	569 2500	Plate Mounting Bolt	
10	554 5600	P-Tension Spring	
*11	546 9805-3	Pulley Plate Assembly	
12	546 9807-1	Outer Plate & Plate Stopper Screw	
13	546 2900	Plate Stopper Screw	
14	569 0800	Pulley Bolt	
15	546 9812	Guide Pulley Unit	
16	546 9806	Tension Pulley Unit	
*17	559 2010	Inner Plate	