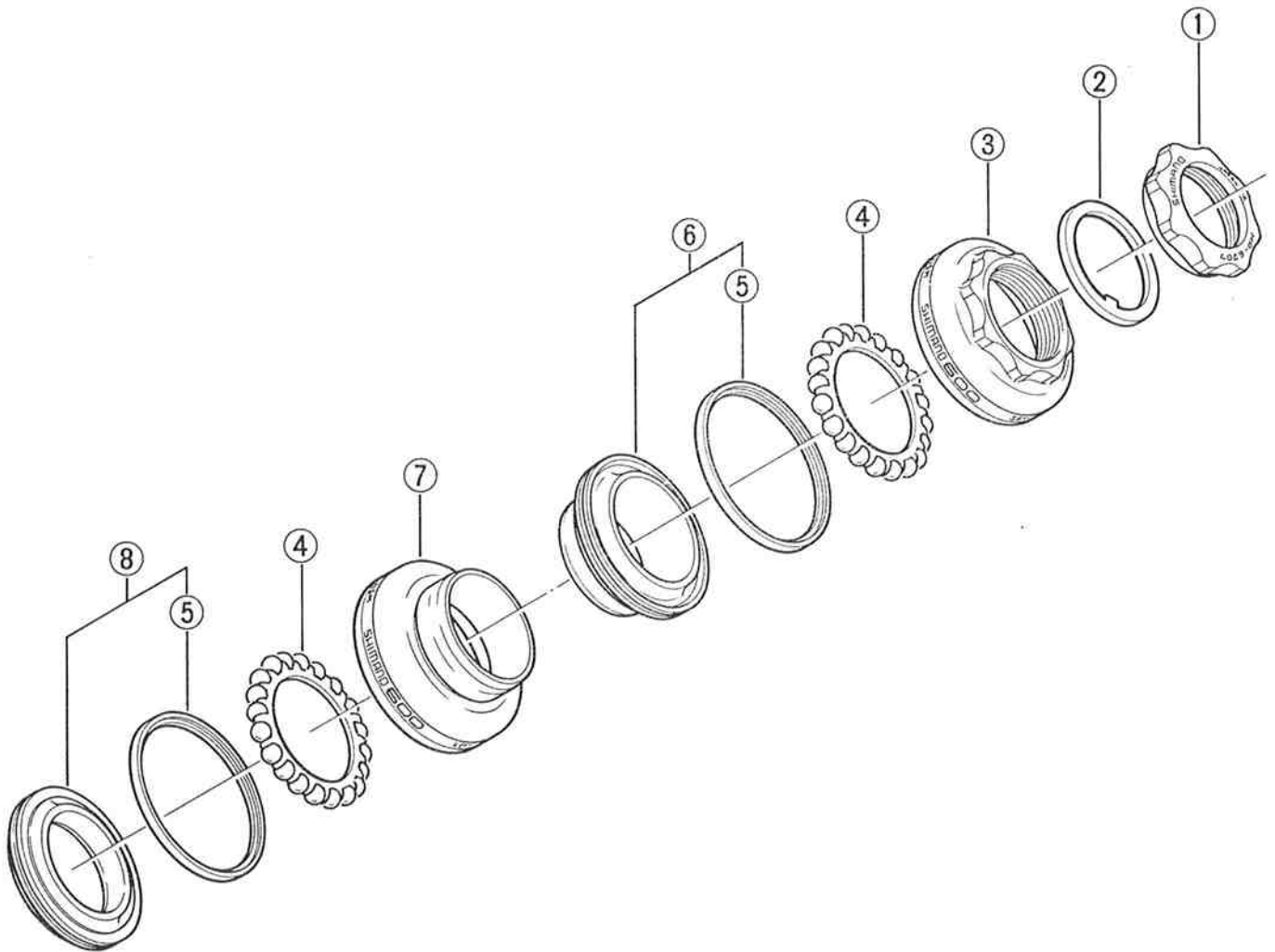


You may photocopy this sheet and use it as an order form.

SHIMANO

Model HP-6207

Head Parts
NEW SHIMANO 600EX



ITEM NO.	PART NO.	DESCRIPTION	Q'TY
* 1	723 5100	Lock Nut B.C.1x24T.P.I.(English & Italian Thread)	
	723 5110	Lock Nut M25xP1.0 (French Thread)	
* 2	723 0200	Lock Washer (English & Italian)	
	723 0201	Lock Washer (French)	
* 3	723 9851	Upper Head Cup B.C.1x24T.P.I.(English & Italian Thread)	
	723 9852	Upper Head Cup M25xP1.0 (French Thread)	
4	723 9009	Ball Retainer (3/16")	
5	723 5600	Dust Seal	
* 6	723 9860	Upper Head Cone 30.2mm w/Dust Seal	
* 7	723 9854	Lower Head Cup 30.2mm	
* 8	723 9862	Lower Head Cone 26.36mm w/Dust Seal	

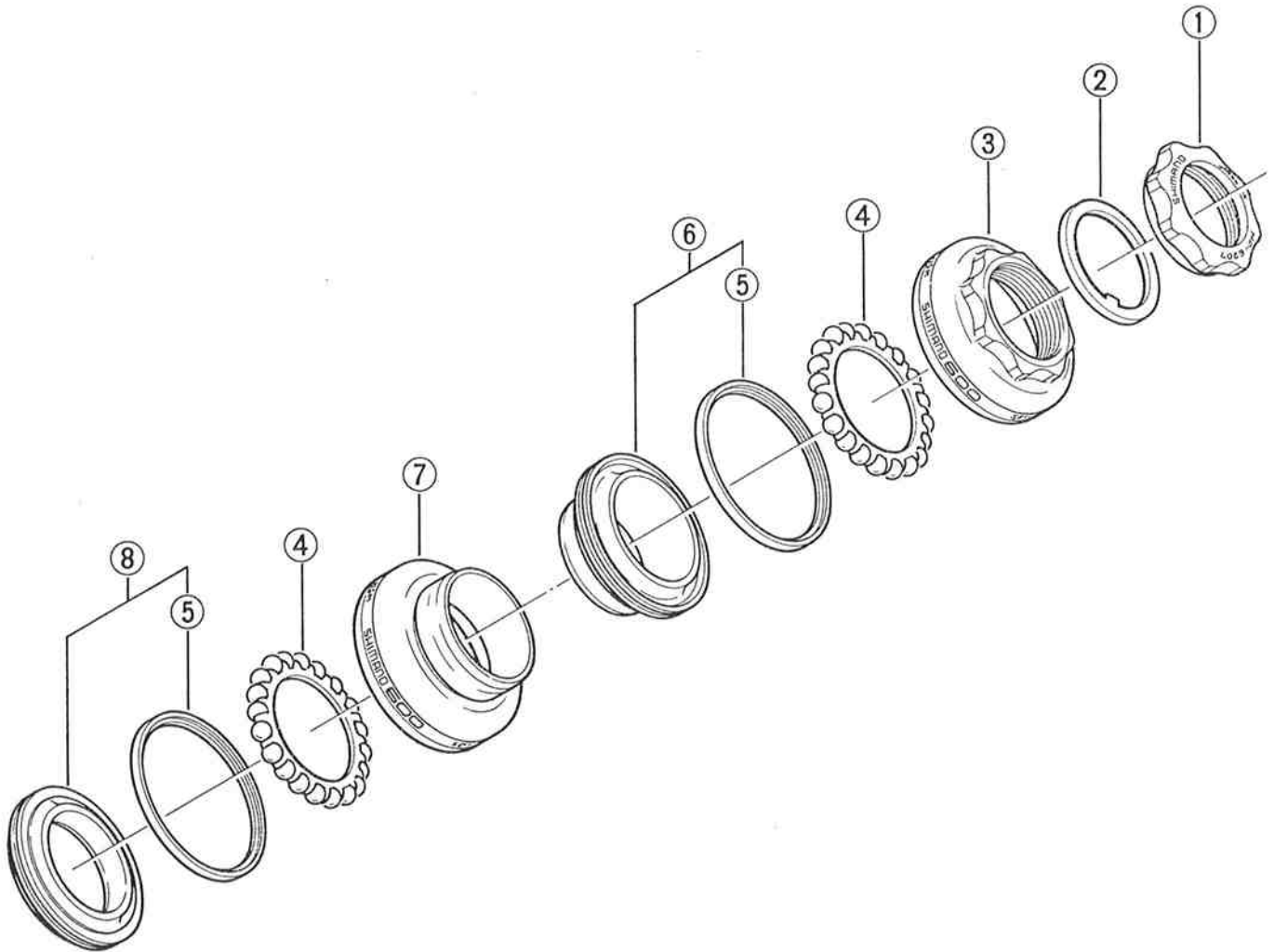
Printed in Japan 8412-U598A

発行 59.12.20

You may photocopy this sheet and use it as an order form.

SHIMANO

Model HP-6207 Head Parts
NEW SHIMANO 600EX



JIS: Japanese Industrial Standards.

ITEM NO.	PART NO.	DESCRIPTION	Q'TY
1	723 5100	Lock Nut B.C.1x24T.P.I (English & JIS Thread)	
	723 5110	Lock Nut M25xP1.0 (French Thread)	
2	723 0200	Lock Washer (English & JIS)	
	723 0201	Lock Washer (French)	
3	3-723 9851	Upper Head Cup B.C.1x24T.P.I (English Thread)	
	3-723 9852	Upper Head Cup M25xP1.0 (French Thread)	
4	3-723 9009	Ball Retainer (3/16")	
5	723 5600	Dust Seal	
* 6	3-723 9861	Upper Head Cone 30.0mm (JIS)	
	3-723 9860	Upper Head Cone 30.2mm	
* 7	3-723 9853	Lower Head Cup 30.0mm (JIS)	
	3-723 9854	Lower Head Cup 30.2mm	
* 8	3-723 9863	Lower Head Cone 27.0mm (JIS)	
	3-723 9862	Lower Head Cone 26.36mm	

Printed in Japan 8412-E598A

発行 59.12.20