

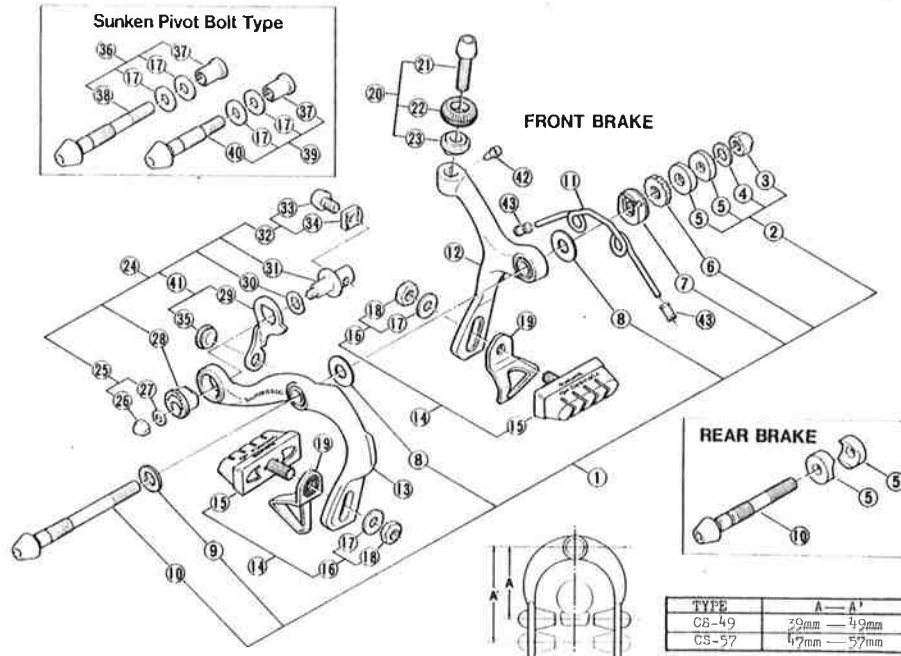


SHIMANO (EUROPA) GmbH.
Im Huelsenfeld 13 4010 Hilden,
West Germany Tel. 02103-5005-16

- You may photocopy this sheet and use it as an order form.
- Sie können dieses Blatt kopieren und als Bestellformular verwenden.
- Vous pouvez photocopier cette feuille et l'utiliser comme bon de commande.
- Dit blad kan gecopieerd en als bestelformulier gebruikt worden.
- Potete fotocopiare questo foglio e usarlo come modulo di commissione.

BR-6207-49 Caliper Brake
SHIMANO 600EX/49-Type

BR-6207-57 Caliper Brake
SHIMANO 600EX/57-Type

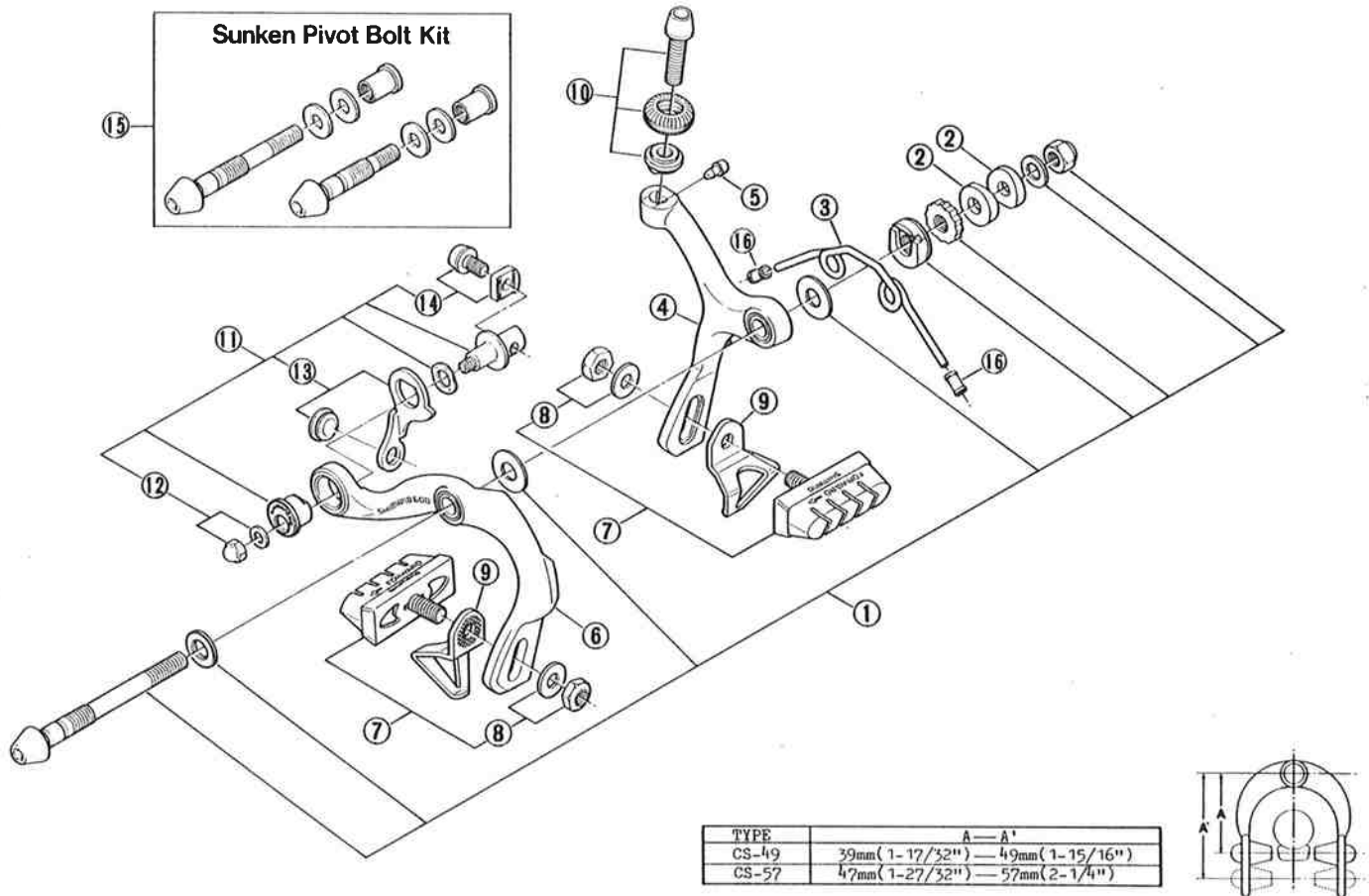


ITEM NO.	PART NO.	DESCRIPTION	Q'TY
1	3-858 9821	Pivot Bolt Assembly for Front	
	3-858 9825	Pivot Bolt Assembly for Rear	
2	3-858 9804	Radius Bushing Unit for Front	
	3-858 9805	Radius Bushing Unit for Rear	
3	863 2701	Lock Nut (M6) for Pivot Bolt	
4	855 1000	Spacer (M6)	
5	855 2700	Radius Bushing for Front	
	855 2600	Radius Bushing for Rear	
6	3-857 9812	Lock Nut	
7	858 3200	Pivot Nut	
* 8	858 3101	Arm Washer 0.5mm	
* 9	858 3001	Arm Washer 1mm	
10	858 2100	Pivot Bolt for Front	
	858 2500	Pivot Bolt for Rear	
11	858 3300	Arm Return Spring	
12	858 0100	Brake Arm "Y" Shape (49-Type)	
	858 0200	Brake Arm "Y" Shape (57-Type)	
13	858 1100	Brake Arm "C" Shape (49-Type)	
	858 1200	Brake Arm "C" Shape (57-Type)	
14	3-858 9802	Brake Shoe Assembly	
15	3-858 9800	Brake Shoe	
16	3-858 9806	Shoe Fixing Nut (M6) & Washer	
17	857 1500	Washer (t=1.0)	
18	855 1100	Shoe Fixing Nut (M6)	
19	858 4800	Tire Guide	
20	3-858 9801	Cable Adjusting Bolt Unit	
21	858 4300	Cable Adjusting Bolt	
22	858 4500	Cable Adjusting Nut Cover	
* 23	858 4400	Cable Adjusting Nut	
24	3-858 9803	Cable Fixing Bolt Assembly w/Quick Release	
25	3-858 9807	Cap Nut & Washer	
26	858 3900	Cap Nut (H4)	
27	858 4000	Washer	
28	858 3600	Flanged Bush	
29	858 3700	Quick Lever	
30	861 6300	Wave Washer	
31	858 3800	Cable Fixing Axle	
32	3-858 9808	Cable Fixing Bolt & Plate	
33	858 4200	Cable Fixing Bolt	
34	858 4100	Cable Fixing Plate	
35	858 4900	Rubber Cover	
36	3-858 9811	Sunken Pivot Bolt Unit for Front (Option)	
37	855 7501	Sunken Pivot Nut (Option)	
38	858 2200	Sunken Pivot Bolt for Front (Option)	
39	3-858 9815	Sunken Pivot Bolt Unit for Rear (Option)	
40	858 2600	Sunken Pivot Bolt for Rear (Option)	
41	3-858 9809	Quick Lever & Rubber Cover	
42	847 3800	Frame Protector	
* 43	853 4100	Sleeve for Spring	

You may photocopy this sheet and use it as an order form.

BR-6207-49 Caliper Brake SHIMANO 600EX/49-Type

BR-6207-57 Caliper Brake SHIMANO 600EX/57-Type



ITEM NO.	PART NO.	DESCRIPTION	Q'TY
1	858 9822	Pivot Bolt Assembly for Front	
	858 9826	Pivot Bolt Assembly for Rear	
2	855 2700	Radius Bushing for Front	
	855 2600	Radius Bushing for Rear	
3	858 3300	Arm Return Spring	
4	858 0100	Brake Arm "Y" Shape (49-Type)	
	858 0200	Brake Arm "Y" Shape (57-Type)	
5	847 3800	Frame Protector	
6	858 1100	Brake Arm "C" Shape (49-Type)	
	858 1200	Brake Arm "C" Shape (57-Type)	
7	858 9802	Brake Shoe Assembly	
8	858 9806	Shoe Fixing Nut (M6) & Washer	
9	858 4800	Tire Guide	
*10	858 9801	Cable Adjusting Bolt Unit	
11	858 9803	Cable Fixing Bolt Assembly w/Quick Release	
12	858 9807	Cap Nut & Washer	
13	858 9809	Quick Lever & Rubber Cover	
14	858 9808	Cable Fixing Bolt & Plate	
15	858 9829	Sunken Pivot Bolt Kit for Front & Rear (Option)	
*16	853 4100	Sleeve for Spring	